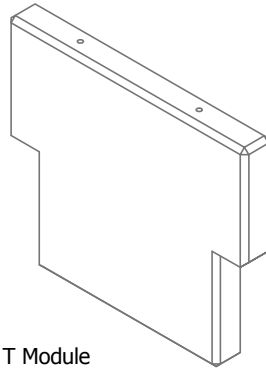
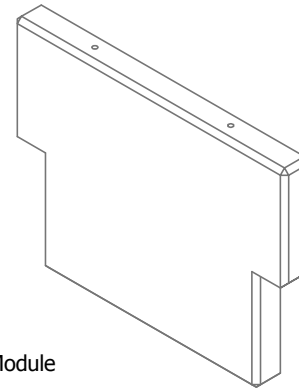


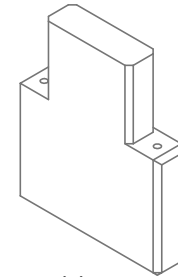
3ft T Module



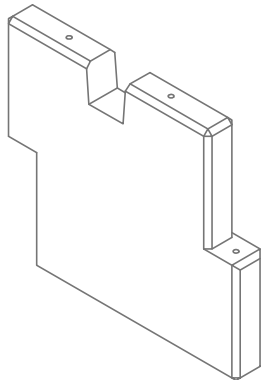
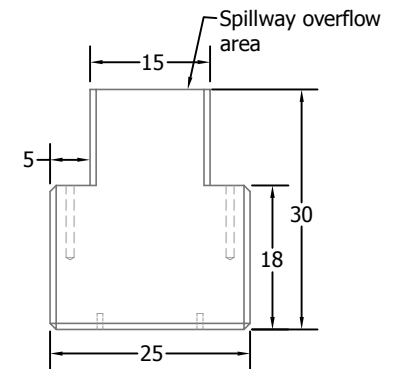
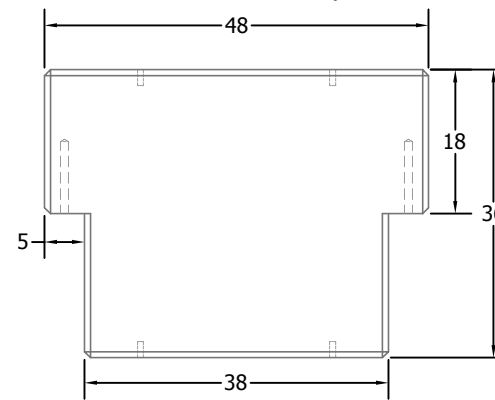
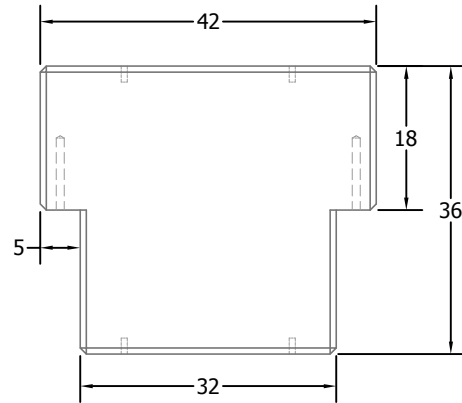
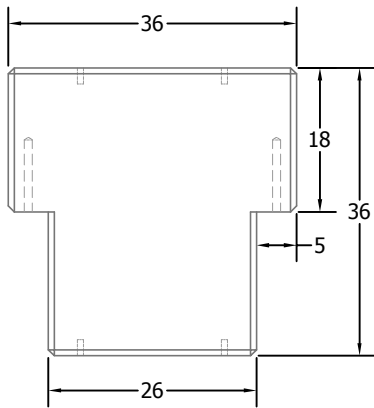
3.5ft T Module



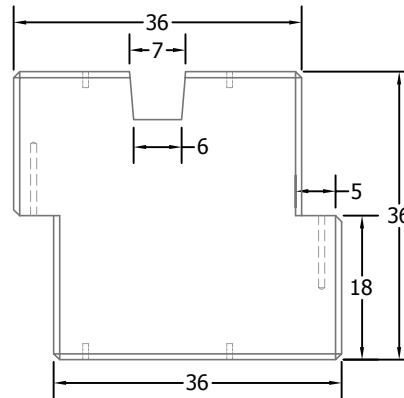
4ft T Module



Spillway T Module



3ft S Module



T-Module may be modified for special widths.

No.	Date	Revision	By

The information on this drawing is for conceptual design and should not be used without the signature of a professional engineer. Details should be specific to the project and project site requirements.

Concrete Products Group, LLC
 12901 St. Charles Rock Rd.
 Bridgeton, MO 63044
 1-800-789-0872
 www.frenosystems.com

Project FRENO SYSTEMS	
Title Special Pieces	
Date 9/20/11	Drawn By: smr
Scale As Noted	Sheet